

FS-FORSHU Insert compatible with Forest Shuffle®



incl. space for the Alpine®, Woodland Edge® & Exploration® expansions

Assembly Instructions

The package contains 2 single sheets.

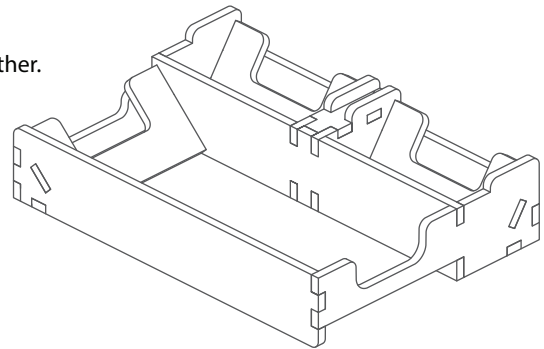
After assembly the tray is put in the original game box.

Ordinary PVA glue is required when assembling each tray.

Please make sure you **dry-assemble** each tray correctly before gluing it together.

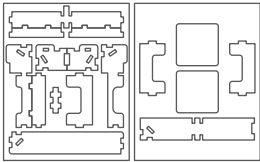
Please check www.foldedspace.com for general assembly tips.

FS-FORSHU



Sheet 1

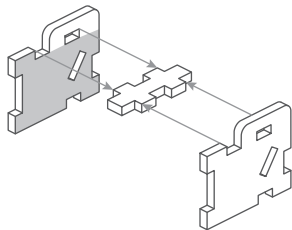
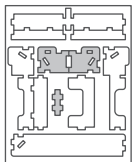
Sheet 2



Note: The dark sides (greyed out below) on some of the pieces are meant to face the inside of the closed areas. Please check www.foldedspace.com for photos. The green sides of the pieces that have animals on them are always visible when the insert is in the box.

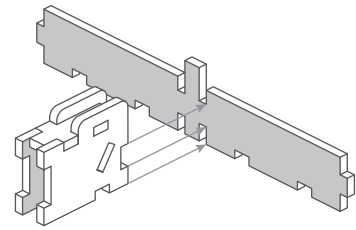
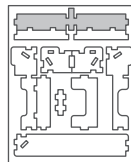
Step 1

Sheet 1



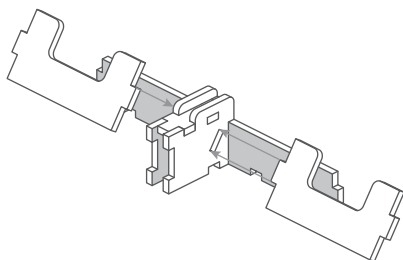
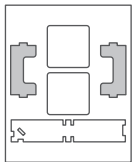
Step 2

Sheet 1



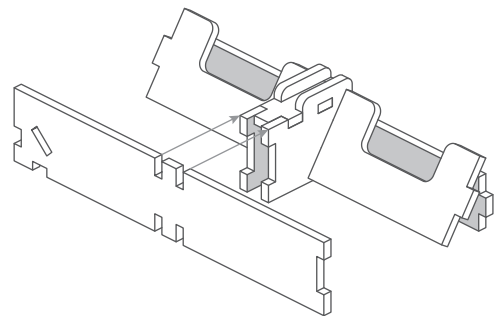
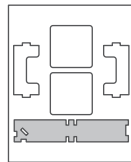
Step 3

Sheet 2



Step 4

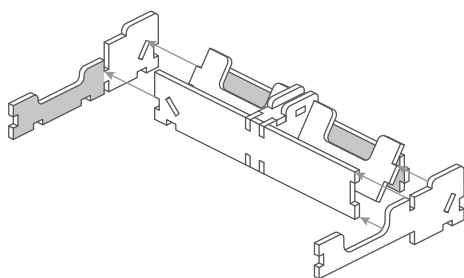
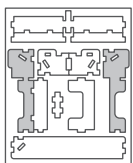
Sheet 2



Note: Use the dividers with the wolves. The wolves can be facing towards or away from each other.

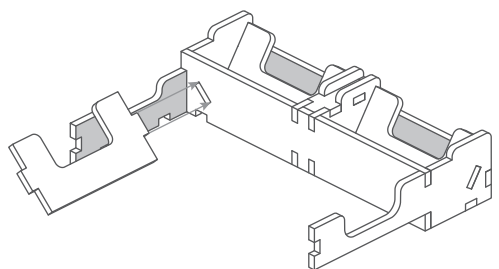
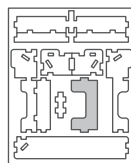
Step 5

Sheet 1



Step 6

Sheet 1



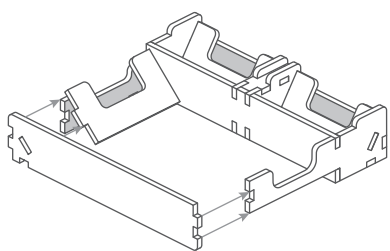
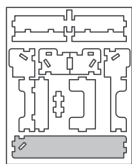
FS-FORSHU Insert compatible with Forest Shuffle®



incl. space for the Alpine®, Woodland Edge® & Exploration® expansions

Step 7

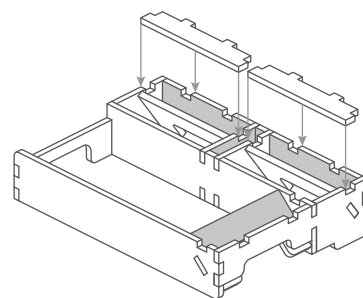
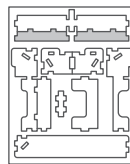
Sheet 1



(flip 180°)

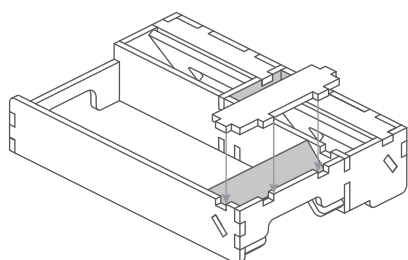
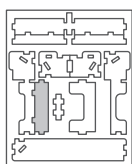
Step 8

Sheet 1



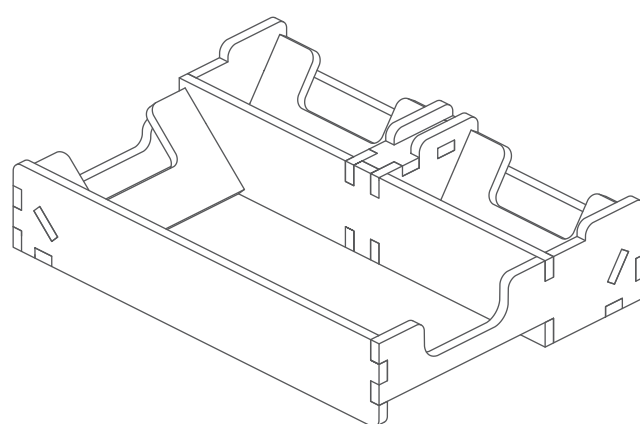
Step 9

Sheet 1



(flip 180°)

Finished tray



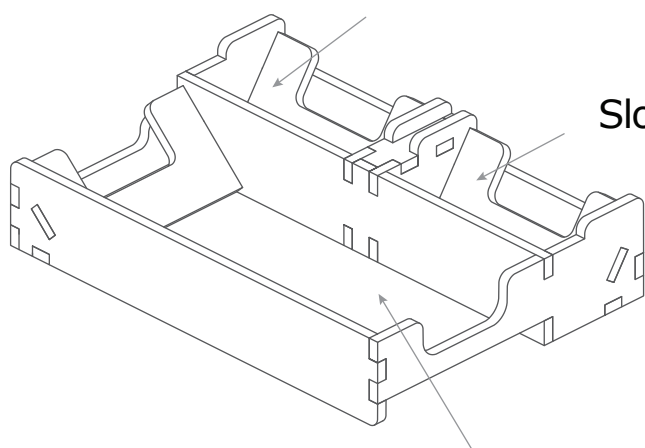
Note: The remaining two square pieces from Sheet 2 are coasters.

FS-FORSHU

Slot B

Slot C

Slot A



Please check www.foldedspace.com for photos of this insert in use.

Tray legend

- Slot A - main game cards
- Slot B - automa, challenges & divider cards
- Slot C - winter, cave & reference cards