

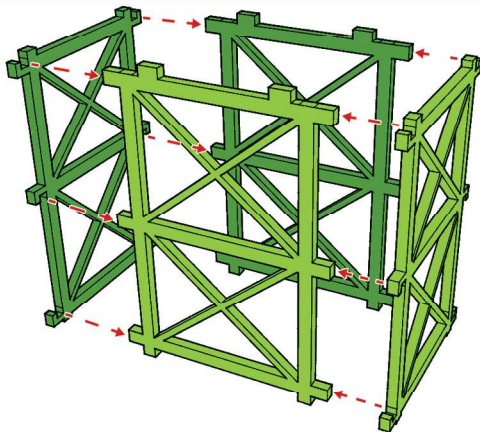
PRE PAINTED

DESIGNED FOR 28-30 MM SCALE

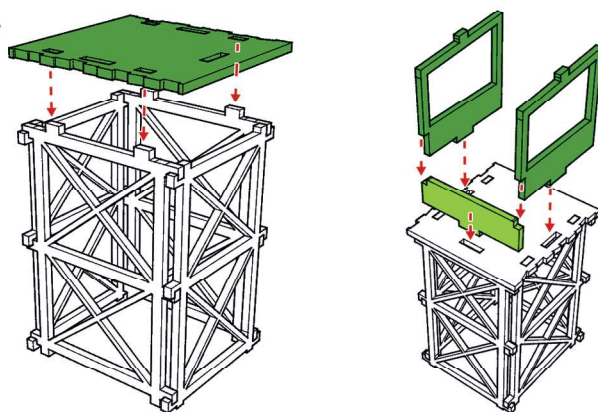


Instruction - H00285 WW2 Pacific Guard Tower

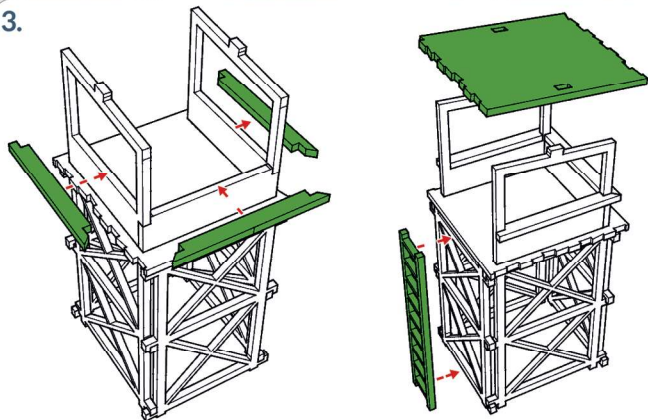
1.



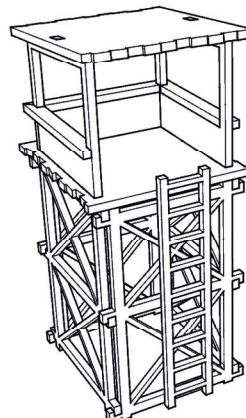
2.



3.



4.



- ★ Good spot to provide cover fire for your troops
- ★ Great cover option for infantry squads

★ ★ ★ H00285 ★ ★ ★

**WW2 PACIFIC
Guard Tower**

MICRO ART STUDIO
WARGAMING STUFF SINCE 2005



WWW.MICROARTSTUDIO.COM